

200A, 25 kV Class Loadbreak Elbow



APPLICATION

The Chardon Loadbreak Elbow is a fully shielded and insulated termination for connecting underground cable to transformers, switchgear, and other apparatus equipped with loadbreak bushings, junctions, or other loadbreak connectors. The bushing insert and loadbreak elbows are the primary components in all ANSI/IEEE loadbreak connections.

The Chardon Loadbreak Elbow meets all the requirements of IEEE Standard 386, and is fully interchangeable with competitor's products and mating products that also meet IEEE Standard 386.

Chardon Loadbreak Elbow are molded using high quality peroxide-cured insulating and semi-conducting EPDM rubber. All insulating rubber is compounded in house, using Chardon developed proprietary formulations.

The Chardon Loadbreak Elbow include a stainless steel pulling eye. An optional capacitive test point is available. Included with the Elbow kit is a bi-metal or copper compression connector, and a tin plated copper probe with an arc quenching tip.

PRODUCTION TESTS

Tests conducted in accordance with IEEE/ANSI Standard 386.

- / Minimum Corona Voltage Level – 19 kV
- / AC 1 Minute Withstand – 40 kV
- / Test Point Voltage Test

Tests conducted in accordance with Chardon manufacturing process requirements:

- / Physical Inspection
- / Periodic Dissection
- / Periodic X-ray Analysis

VOLTAGE RATINGS

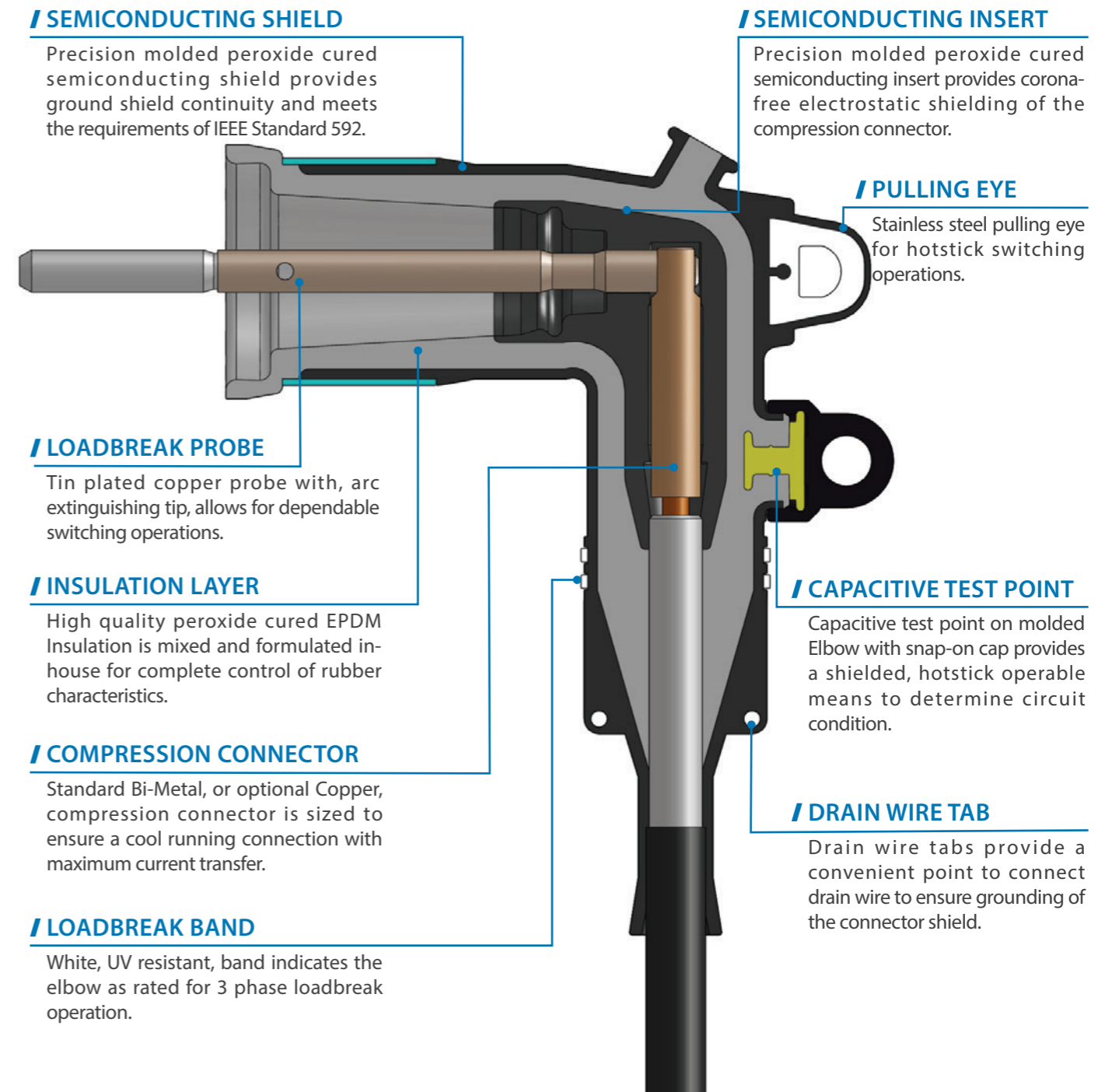
Voltage Class	25 kV
Max. Rating Phase to Phase	26.3 kV
Max. Rating Phase to Ground	15.2 kV
AC 1 Minute Withstand	40 kV
DC 15 Minute Withstand	78 kV
BIL and Full Wave Crest	125 kV
Minimum Corona Voltage Level	19 kV

• 25LE200-041118-REV04

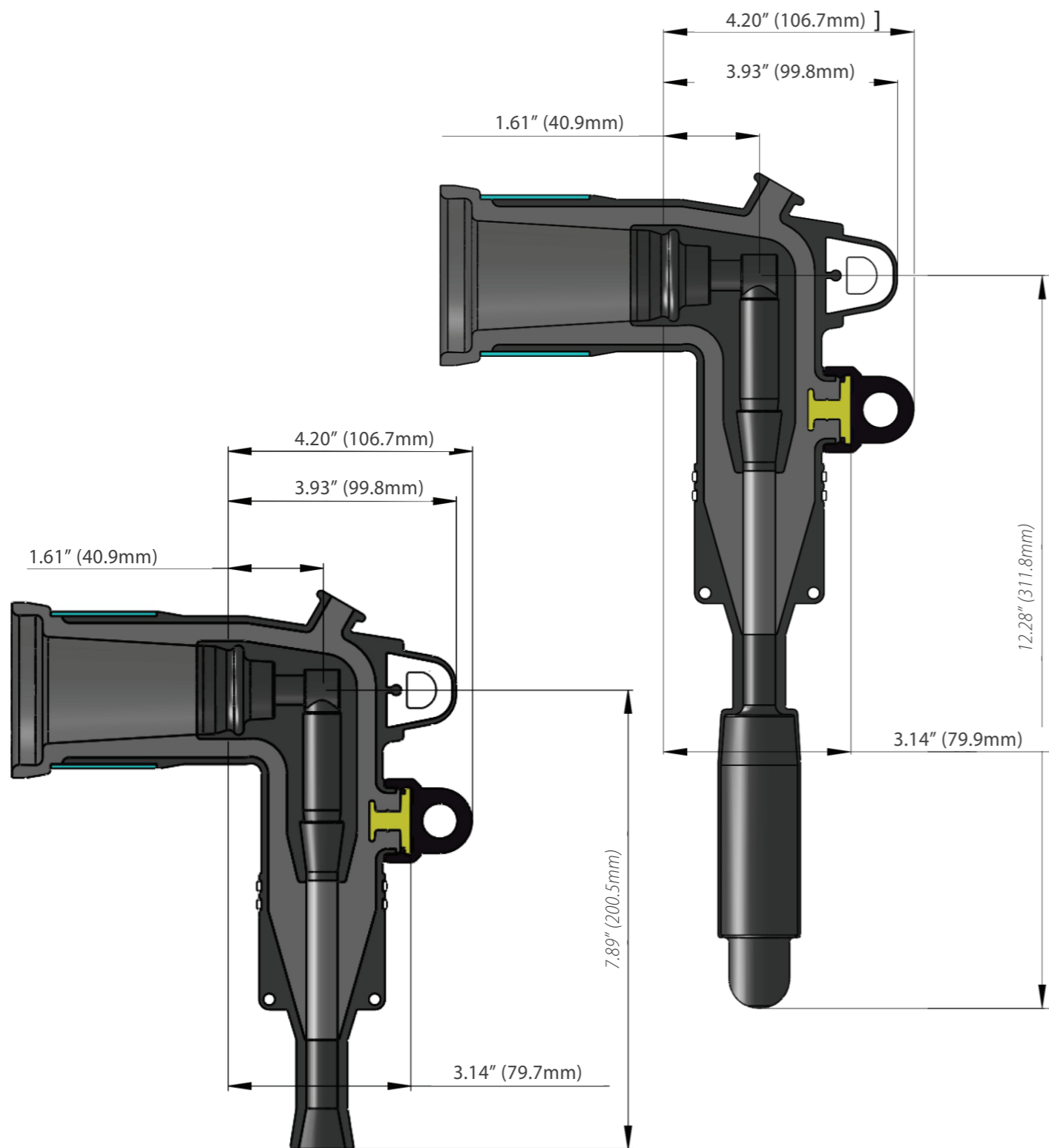
CURRENT RATINGS

Description	Test Parameters
Continuous	200 amps rms
Switching	10 operations at 200 amps rms at 26.3 kV
Fault Close	10,000 amps rms symmetrical at 26.3 kV for 0.17 s after 10 consecutive successful switching operations
Short Time	• 10,000 amps rms symmetrical for 0.17 s • 3,500 amps rms symmetrical for 3.0 s

DETAILED COMPOSITION OF THE CHARDON 25 KV LOADBREAK ELBOW



DETAILED COMPOSITION OF THE CHARDON 25 KV LOADBREAK ELBOW



ORDERING INFORMATION

Chardon Loadbreak Fuse Elbow kits are packaged in a heavy duty plastic bag.

Each elbow kit includes the following:

- / Silicone Grease
- / Plated Copper Probe
- / Probe Installation Wrench
- / Elbow or Elbow with Integral Jacket Seal
- / Bi-Metal or Copper Compression Connector
- / Mastic Strips (Integral Jacket Seal Elbow Only)
- / Installation Instructions

To order a Chardon 25 kV Elbow Kit, follow the steps below:

25-LE200	"U"	"W"	"X"	"Y"	"Z"
-----------------	------------	------------	------------	------------	------------

"U" = Enter **J** if an Integral Jacket Seal is Desired

"W" = Enter **T** if want a Capacitive Test Point

"X" = Cable Range Code (A, B, C or D)

"Y" = Conductor Code (See table)

"Z" = Enter **C** if a Plated Copper Connector is Desired (Bi-metal are standard)

Note :

Bi-metal lug for use on copper and aluminum conductors. Cooper lug for use on cooper conductors only.

25 kV, 200A Loadbreak Cable Ranges (Insulation Diameter)

Cable Range Code	Inches	Millimeters
A	0.610 - 0.875	15.49 - 22.23
B	0.720 - 0.985	18.29 - 25.02
C	0.920 - 1.185	23.37 - 30.10
D	1.040 - 1.305	26.42 - 33.15

Note :

The elbow with integral jacket seal only has size B and C available.

Conductor Code Table

CONDUCTOR CODE	Concentric or Compressed		Compact or Solid	
	AWG or kcmil	mm ²	AWG or kcmil	mm ²
01	#6	-	#4	-
02	#4	-	#3	25
03	#3	25	#2	35
04	#2	35	#1	-
05	#1	-	1/0	50
06	1/0	50	2/0	70
07	2/0	70	3/0	-
08	3/0	-	4/0	95
09	4/0	95	250	120
10	250	120	300	-

Example :

To order a standard Chardon 25 kV Loadbreak Elbow with a cable insulation diameter of 0.990", a 3/0 bi-metal compression connector and a capacitive test point, order the following part number: 25-LE200TC08.



CHARDON TAIWAN CORPORATION

No.37 Min-Chie Road, Tung Lo
Industrial Park, Miao Li, Taiwan 366

Tel : +886-37-984385

Fax : +886-37-984770

www.chardongroup.com • info@chardongroup.com